

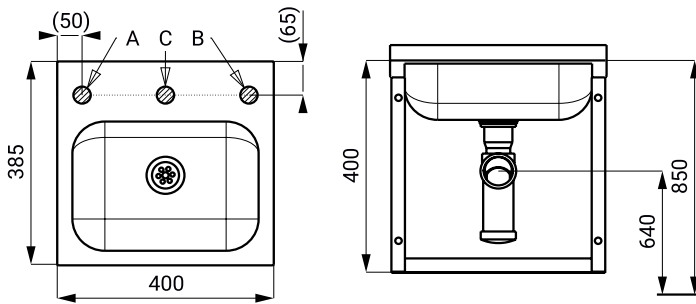
Stainless Steel Washbasin SLUN 13



Characteristics

- wall-mounted stainless steel washbasin
- without a tap hole (a 35 mm hole can be made to order)
 - A - hole on the left
 - B - hole on the right
 - C - hole in the middle
- material AISI - 304
- brushed finish

Dimensions



Technical Specification

Dimensions	400 x 385 x 400 mm
Weight	7,5 kg
Material thickness	
▪ washbasin	1,2 mm
▪ side panel	2 mm

Supply Specification

SLUN 13 - Supply No. 93130 stainless steel washbasin, siphon, mounting set

Recommended accessories

SLR 10 - Supply No. 08100 installation frame for stainless steel urinals with a flush in the urinal or stainless steel washbasins