

# Automatic Black Wall-mounted Stainless Steel Washbasin Tap SLU 43V



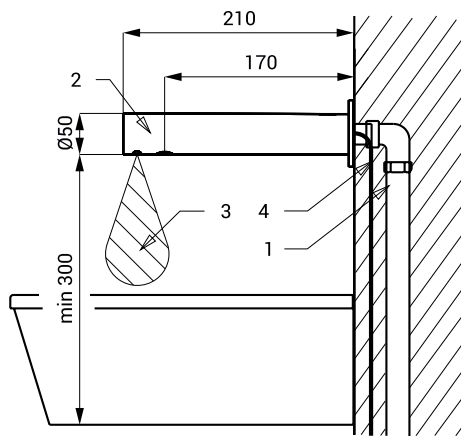
SLU 43V

## Characteristics



- economical aerator, rate of flow 6 l/min
- hygienic flush
- lead free
- is destined for cold or premixed water
- water is flowing as long as hands are in the active range
- water stops flowing after removal of hands from the active range sensor after adjustable time delay (can be set in range 0,25 - 7,75 s)
- function of automatic water stop after 5 minut of continuous flow
- monitoring of battery capacity (for models with index B)
- START/STOP program
- parameter adjustment using by the remote control SLD 03

## Installation Drawing



- 1 - water supply  
2 - spout  
3 - active range  
4 - feed cable from the power supply (SLU 43V)

## Technical Specification

### Operating voltage

- SLU 43V 24 V DC
- SLU 43VB 6 V

### Power input

- operating by 24 V DC 3 W
- operating by 6 V 3 W

### Battery life

- 4 pcs. AA alkaline batteries approx. 2 years (100 uses per day)
- AA, 1,5 V, 2700 mAh

### Active range

- standard 0,11 - 0,15 m
- START/STOP program 0,05 - 0,15 m

### Recommended flow pressure

- 0,1 - 0,6 MPa

### Rate of flow

- 6 l/min. (inf. data)

### Water inlet

- male thread G 1/2"



SLZN 83EV - automatic wall-mounted soap dispenser

## Supply Specification

- SLU 43V - Supply No. 03433 black faucet with electronics and electromagnetic valve, 4 pcs. AA alkaline  
SLU 43VB - Supply No. 03434 batteries 1,5 V, 2700 mAh (SLU 43VB)

## Recommended Accessories

- |            |                    |  |
|------------|--------------------|--|
| SLZ 01Y    | - Supply No. 05012 | power supply 24 V DC for operating of max. 10 pcs. of washbasin taps               |
| SLZ 01Z    | - Supply No. 05011 | power supply 24 V DC for operating of max. 20 pcs. of washbasin taps               |
| SLZ 04Y    | - Supply No. 05042 | power supply 24 V DC for DIN rail, for operating of max. 10 pcs. of washbasin taps |
| SLZ 04Z    | - Supply No. 05041 | power supply 24 V DC for DIN rail, for operating of max. 20 pcs. of washbasin taps |
| SLZ 04X    | - Supply No. 10049 | power supply 24 V DC for DIN rail, for operating of max. 30 pcs. of washbasin taps |
| SLD 03     | - Supply No. 07030 | remote control for an adjustment of parameters                                     |
| SLT 04     | - Supply No. 09040 | thermostatic valve 3/4", rate of flow 28 l/min by the pressure 0,1 MPa             |
| SLT 05     | - Supply No. 09050 | thermostatic valve 1/2", rate of flow 42 l/min by the pressure 0,1 MPa             |
| SLR 24     | - Supply No. 08240 | mounting frame for soap dispenser SLZN 83E   |
| SLA 36     | - Supply No. 06360 | set of 4 pcs. alkaline batteries AA, 1,5 V, 2700 mAh (for models with index B)     |
| SLA 56A    | - Supply No. 06560 | economical aerator 3,8 l/min   |
| SLA 56B    | - Supply No. 06561 | economical aerator 1,9 l/min   |
| SLZN 83EV  | - Supply No. 85837 | automatic wall-mounted soap dispenser  |
| SLZN 83EVR | - Supply No. 85839 | automatic wall-mounted soap dispenser with mounting frame SLR 24                   |